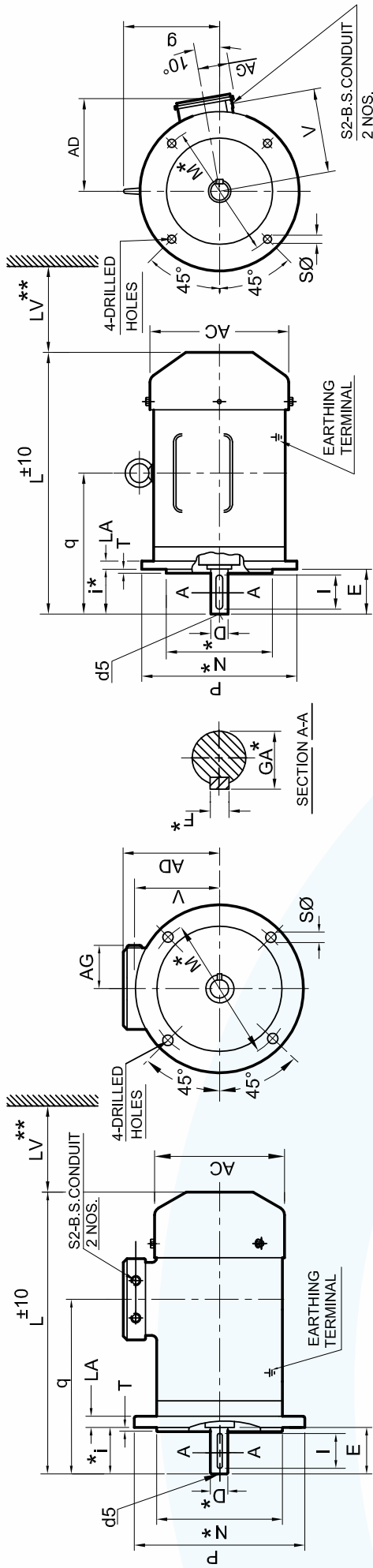


Dimensional Details: Brake Motors Type MB Flange Mounted (B5) TEFC Series Frame 71-132M



FRAME SIZE 71 TO 80

FRAME SIZE 90S TO 132M

IEC Fr. size	Pole	GENERAL										FIXING			TERMINAL BOX			SHAFT					
		P	N*	M*	i*	S	T	LA	AD	AC	L	g	LV**	V	q	AG	S2 B.S.C.	D*	E	F*	GA*	I	d5
71	2,4 & 6	160	110	130	30	10	3.5	9	145	140	306	—	30	104	168	53	3/4"	14	30	5	16	25	M5
80	2,4 & 6	200	130	165	40	12	3.5	10	155	157	331	—	30	114	170	53	3/4"	19	40	6	21.5	35	M6
90S	2,4,6 & 8	200	130	165	50	12	3.5	10	172	174	355	①	35	124	156	53	3/4"	24	50	8	27	45	M8
90L	2,4,6 & 8	200	130	165	50	12	3.5	10	172	174	380	—	35	124	169	53	3/4"	24	50	8	27	45	M8
100L	2,4,6 & 8	250	180	215	60	15	4	11	198	195	439	135	40	143	193	60	1"	28	60	8	31	55	M10
112M	4,6 & 8	250	180	215	60	15	4	11	211	220	456	148	45	156	200	60	1"	28	60	8	31	55	M10
132S	2,4,6 & 8	300	230	265	80	15	4	12	232	260	512	176	50	178	239	60	1"	38	80	10	41	70	M12
132M	2,4,6 & 8	300	230	265	80	15	4	12	232	260	550	176	50	178	258	60	1"	38	80	10	41	70	M12

* Refer TABLE A for tolerances

Dimension	Tolerance	Specification
N	j6	IS : 2223
M	±0.3	
i	±1	

Dimension	Tolerance	Specification
D	j6	IS : 1231
	k6	
GA,F		IS : 2048
d5(centering)		IS : 2540

① Without Eye bolt

□ Also suitable for V19 & v18 mounting as per IS 2253

□ Key / Key way fit : h9 / N9

** Minimum distance for efficient cooling of motor to be maintained by user

All Dimensions are in mm unless otherwise specified.

CAT-B-7113-5-1